

# ELEKTRICAL ACTUATOR

## TYPE DVC5630-004

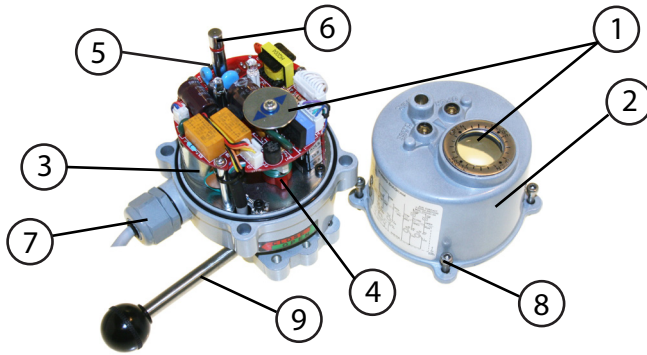


armatec



### GENEREL

|                     |  |
|---------------------|--|
| MATERIAL:           | ALUMINUM BODY, POLYESTER COATED.                                   |
| POWER SUPPLY:       | MULTI 85-265V(50/60HZ AC)/ 24V DC                                  |
| PROTECTION CLASS:   | IP67   |
| TEMPERATURE:        | -20°C / +80°C  |
| ROTATION ANGLE:     | 90° +/- 5°   |
| TORQUE:             | 40Nm   |
| CABLE LENGHT:       | 1200MM   |
| DUTY RANGE:         | S2 70%   |
| MOUNTING FLANGE:    | ISO 5211 - F03, F04 OG F05   |
| SWITCH TYPE:        | 4PCS. MECHANICAL (SPDT)<br>THERMOSTATIC HEAT                       |
| ELEMENT:            | 0,5W   |
| CABLE ENTRIES:      | PG 11 X 1  |
| POSITON INDICATION: | LED, RED - GREEN<br>VISUEL POSITION INDICATION<br>EMERGENCY HANDLE |

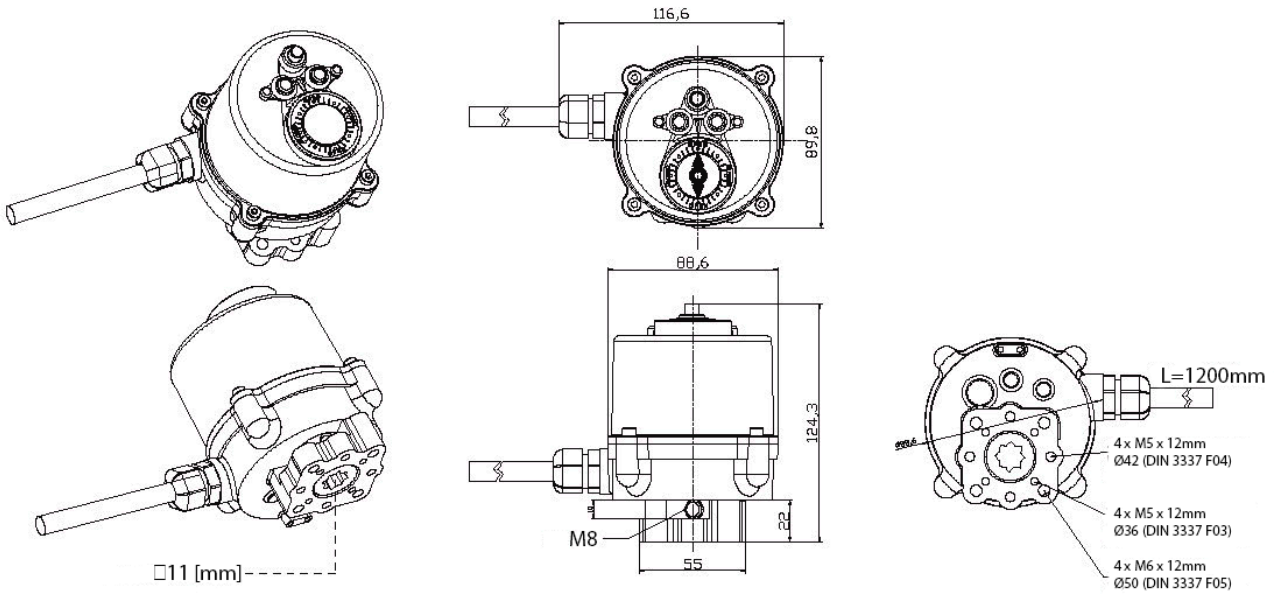


| POS | DESCRIPTION        | MATERIALS                |
|-----|--------------------|--------------------------|
| 1   | POSITION INDICATOR | POLYCARBONATE / AISI304  |
| 2   | CASING             | POLYESTERCOATED ALUMINUM |
| 3   | MOTOR              | ELECTRICAL PART          |
| 4   | POSITION / SWITCH  | SPDT / ABS PLAST         |
| 5   | HEAT ELEMENT       | ELECTRICAL PART          |
| 6   | MANUEL BUTTON      | STEEL (S45C)             |
| 7   | CABLE ENTRY        | ABS PLAST                |
| 8   | BOLTS              | AISI304                  |
| 9   | EMERGENCY HANDLE   | AISI304 / ABS PLAST      |

### DESCRIPTION

- **Rugged and compact design**, ideal for smaller valves up to 40Nm.
- **Metal gearbox** insures long life time.
- **Double square connection** provides greater flexibility in regards to mounting.
- **Thermostatic heater** prevents condensation inside the casing.
- **Very simple installation** due to ISO 5211 mounting flange. F03-F04-F05.
- **Casing in anodized aluminum** polyester coated on the outside in grey colour.
- **Good visual indication** of open and closed valve. In addition, LED lights for open / close.
- **Manual operation** via push button and handle.
- **MULTI voltage** can be supplied optional with 85-265VAC or 24VDC.

**DIMENSIONS 004**



**ACTUATOR DATA**

| SIZE | TORQUE [NM] | OPERATION TIME 90° [SEK] | ISO 5211 ** | POWER CONSUMPTION 50/60HZ [A] |         |        | DUTY RANGE ON/OFF [S2] | SWITCH      | WEIGHT [KG] |
|------|-------------|--------------------------|-------------|-------------------------------|---------|--------|------------------------|-------------|-------------|
|      |             |                          |             | 110V AC                       | 230V AC | 24V DC |                        |             |             |
| 004  | 40          | 12                       | F03/F04/F05 | 0,12                          | 0,06    | 0,5    | 70%                    | 250V MAX 5A | 1,2         |

\*\* F04 (45° offset)

**WIRING DIAGRAM**

