

3-PCS CRYOGENIC BALL VALVE

TYPE DVC1380



armatec

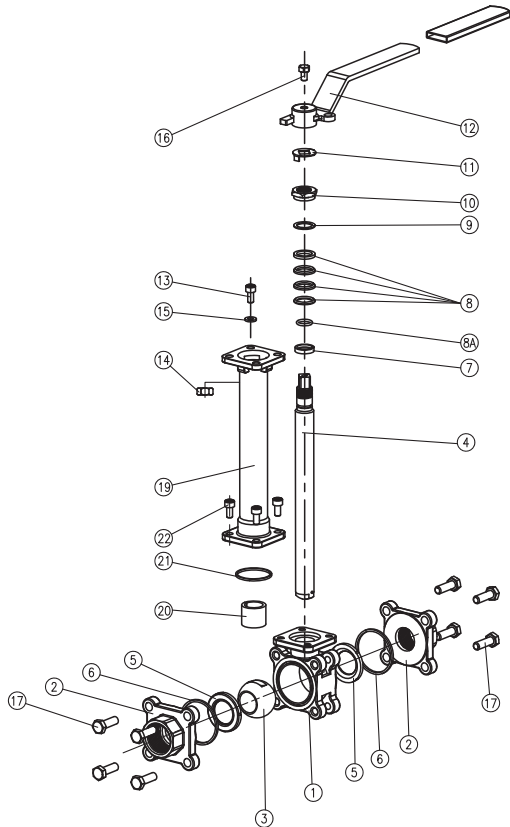


GENERAL

DIMENSION/PRESSURE:	DN10 - DN50: PN130
MATERIAL:	ACID-PROOF STAINLESS STEEL
CONNECTION:	BUTT WELD SCH. 40
FACE-TO-FACE:	DIN3202 M3 S13
MOUNTING FLANGES:	ISO 5211
TEMPERATURE RANGE:	-196° C TO +200° C
OPERATION:	HANDLE

OPTIONS

DIMENSION:	DN8
CONNECTION:	FLANGED, SOCKET WELD, THREAD "BSP"
OPERATION:	PNEUMATIC ACTUATOR OR ELECTRICAL ACTUATOR



POS	DESCRIPTION	MATERIAL
1	BODY	CF8M
2	END CAP	CF3M / CF8M (THREAD)
3	BALL	CF8M
4	STEM	17- 4 PH SS
5	SEAT	PCTFE (KEL-F)
6	BODY SEAL	GRAFOIL
7	THRUST WASHER	PCTFE (KEL-F)
8	STEM PACKING	FPM
8A	O-RING	PCTFE (KEL-F)
9	STEM PACKING	PCTFE (KEL-F)
10	STEM NUT	AISI 304
11	LOCK SADDLE	AISI 304
12	HANDLE	AISI 304
13	STOP BOLT	AISI 304
14	STOP NUT	AISI 304
15	STOP WASHER	AISI 304
16	HANDLE BOLT	AISI 304
17	BODY BOLT	AISI 304
18	HANDLE SLEEVE	VINYL
19	EXTENSION	CF8M
20	THRUST BEARING	25% CARBON/75% PTFE
21	EXTENSION GASKET	GRAFOIL
22	EXTENSION BOLT	AISI 304

DESCRIPTION

- **3-pcs cryo ball valve with temperature span from -196°C to +200°C.** Suitable for nitrogen, CO₂, oxygen, etc. All valves are degreased for oxygen.
- **Long neck prevents freezing of the stem packing** as this is located at the top of the stem extension. This minimizes the risk of leakage.
- **All balls are drilled with a relief hole** to prevent thermal expansion.
- **Material certifikat EN10204/3.1** is available.

SUITABLE FOR



INDUSTRY



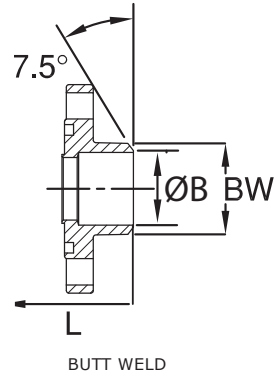
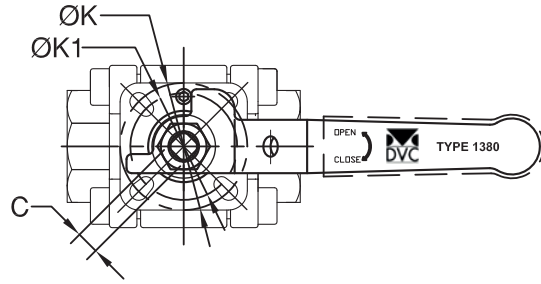
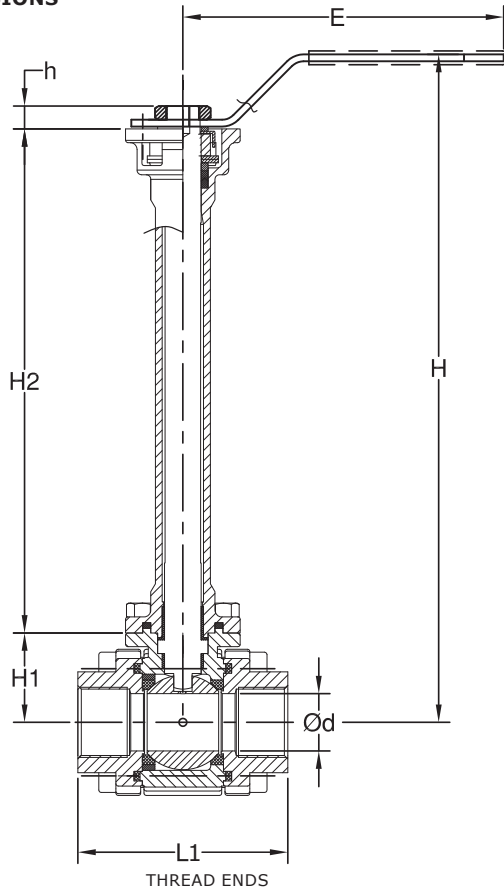
MARINE



COOLING SYSTEM

DS-DVC1380-UK-03-2025-REV. I
We reserve the right for changes.

DIMENSIONS



DIM	G ["]	øOD [MM]	L [MM]	L1 [MM]	E [MM]	H [MM]	H1 [MM]	H2 [MM]	h [MM]	C [MM]	ØK [MM]	ØK1 [MM]	ØB [MM]	BW [MM]	KV [NM ³ /H]	TORQUE [NM]		WEIGHT [KG]
																20°C	-196°C	
DN10	3/8	9.6	67	67	156	274	39.0	200	8	9	F05	F04	13.7	17.2	6.90	10.0	20.0	1.81
DN15	1/2	15.0	75	75	156	274	39.0	200	8	9	F05	F04	15.8	21.4	16.34	12.0	26.0	1.84
DN20	3/4	20.0	90	80	156	276	42.6	200	8	9	F05	F04	20.9	26.7	30.10	16.0	38.0	2.25
DN25	1	25.0	100	90	181	287	47.2	200	10	11	F07	F05	26.6	33.4	43.00	21.0	47.0	2.83
DN32	1 1/4	31.0	110	110	181	292	51.2	200	10	11	F07	F05	35.0	42.2	94.60	29.0	68.0	3.70
DN40	1 1/2	38.0	125	120	395	403	58.5	300	13	14	F10	F07	40.8	48.3	172.00	37.0	85.0	7.41
DN50	2	50.0	150	140	395	423	76.2	300	13	14	F10	F07	52.5	60.5	301.00	59.0	160.0	9.50

Torque figures includes 30% safety factor.

PRESSURE/TEMPERATURE

