

ANGLE SEAT VALVE

TYPE DVC3500



armatec

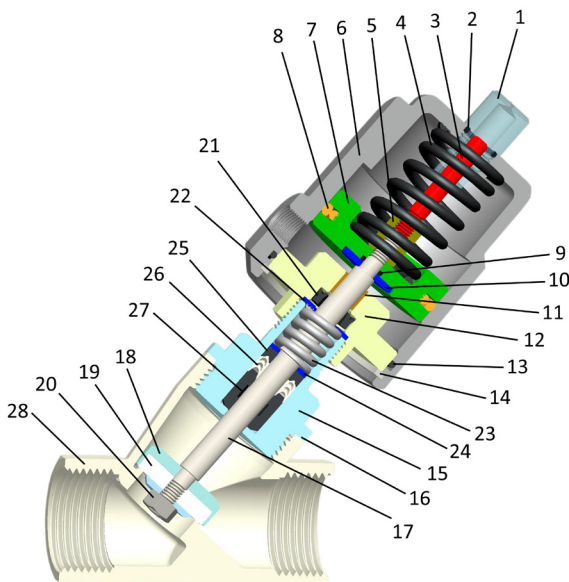


GENERAL

| | |
|----------------------|-----------------------------|
| DIMENSION: | THREAD ENDS 1/2" TO 2" |
| PRESSURE: | PN16 |
| BODY MATERIALE: | STAINLESS STEEL |
| SEAL MATERIALE: | PTFE |
| THREAD CONNECTION: | BSPP |
| WORKING TEMPERATURE: | -20°C TO 180°C (PEAK 200°C) |
| AMBIENT TEMPERATURE: | -20°C TO 80°C |
| ACTUATOR: | SPRING RETURN (NC) |

OPTIONS

| | |
|------------------|---|
| DIMENSION: | THREADED ENDS 3/8", 2 1/2" TO 4" |
| WELD CONNECTION: | DIN 11850-2, DIN 11850-3 |
| SEAL MATERIALE: | EPDM (-10°C TO 80°C) PTFE WITH 25% CARBON (-10°C TO 220°C) |
| ACTUATOR: | SPRING RETURN (NO) DOUBLE ACTING |



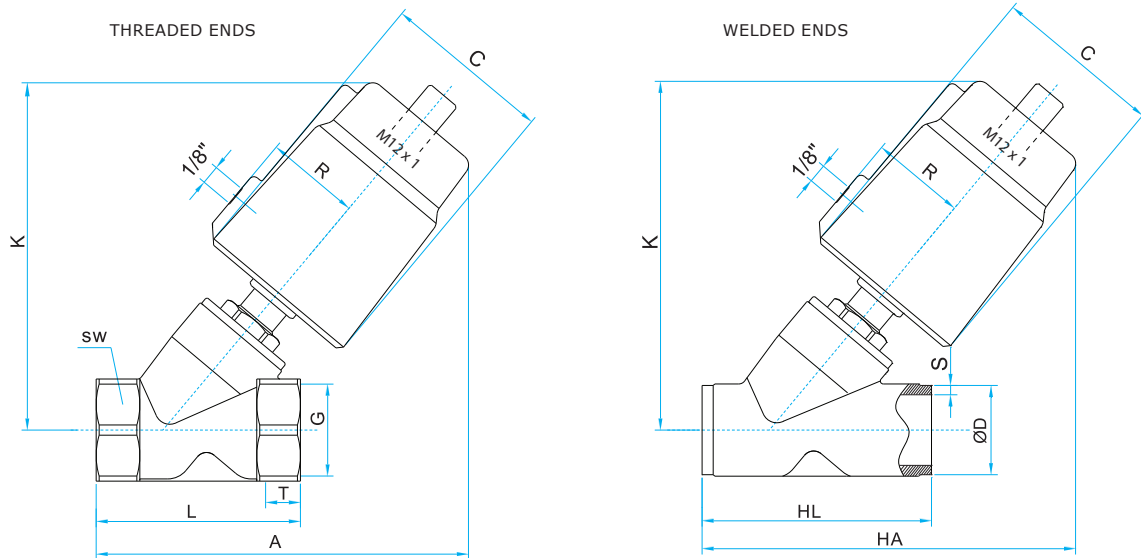
| POS | DESCRIPTION | MATERIALS |
|-----|--------------------|----------------------|
| 1 | TOP CAP | PC / STAINLESS STEEL |
| 2 | O-RING | NBR |
| 3 | INDICATOR ROD | NYLON |
| 4 | SPRING | 65MN |
| 5 | NUT | ALUMINUM |
| 6 | CYLINDER | CF8 |
| 7 | PISTON | ALUMINUM |
| 8 | PISTON SEAL | FPM |
| 9 | O-RING | NBR |
| 10 | WASHER | AISI 304 |
| 11 | BEARING | COPPER |
| 12 | CYLINDER COVER | AISI 304 |
| 13 | O-RING | NBR |
| 14 | SPRING LOCK RING | AISI 304 |
| 15 | CONNECTOR | CF8M |
| 16 | BODY SEAL | PTFE |
| 17 | VALVE ROD | AISI 316 |
| 18 | VALVE CORE | CF8M |
| 19 | SEAT | PTFE |
| 20 | HEX NUT | AISI 316 |
| 21 | SEAL | FPM |
| 22 | WASHER | AISI 304 |
| 23 | SPRING | AISI 304 |
| 24 | WASHER | AISI 304 |
| 25 | VALVE ROD SEAL I | PTFE + CARBON |
| 26 | VALVE ROD SEAL II | PTFE |
| 27 | VALVE ROD SEAL III | PTFE + CARBON |
| 28 | VALVE BODY | CF8M |

DESCRIPTION

- **Maintenance free** and easy installation.
- **Low energy consumption.**
- **Long service life** due to the construction.
- **ATEX and CE certificates** are supplied.
- **Low resistance, no water hammering.**
- **Threaded ends and welded ends** BSPP, DIN 11850-2, DIN 11850-3 and ISO 4200.
- **Various applications** such as construction, textile, medical, foodstuffs, chemical and disinfection.
- **Suitable for medias** such as water, natural gas, steam (max. 180°C) as well as mildly corrosive gas-es and liquids.

IDS-DVC3500-UK-03-2025-REV. A
We reserve the right for changes.

DIMENSIONS



THREADED ENDS

| DIM | ACTUATOR [MM] | A [MM] | C [MM] | G [INCH] | K [MM] | L [MM] | SW [MM] | R [MM] | T [MM] |
|--------|---------------|------------|--------------|----------|------------|--------|---------|----------|--------|
| 1/2" | 50 | 131 | 60.0 | 1/2" | 124 | 68 | 27 | 33 | 15 |
| 3/4" | 50 | 136 | 60.0 | 3/4" | 128 | 75 | 32 | 33 | 16 |
| 1" | 50 63 | 145 169 | 60.0 75.0 | 1" | 136 162 | 90 | 40 | 33 41 | 17 |
| 1 1/4" | 63 | 187 | 75.0 | 1 1/4" | 174 | 116 | 50 | 41 | 21 |
| 1 1/2" | 63 | 187 | 75.0 | 1 1/2" | 175 | 116 | 56 | 41 | 21 |
| 2" | 63 | 201 | 75.0 | 2" | 183 | 138 | 69 | 41 | 22 |

VALVE DATA

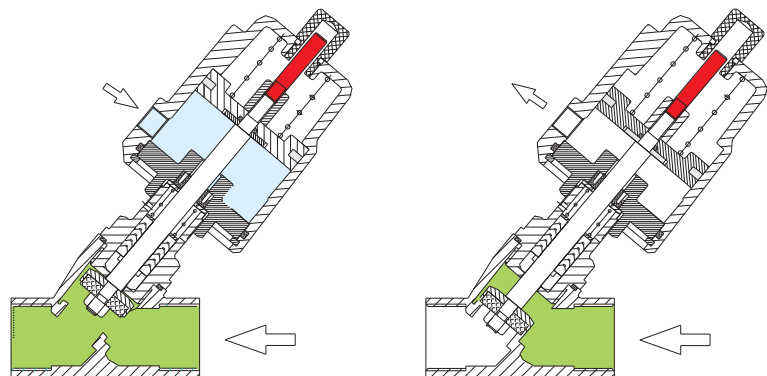
| DIM | ACTUATOR [MM] | BORE [MM] | KV-VALUE [M ³ /H] | MAX. PRESSURE ΔP [BAR] ABOVE SEAT MAX. BACK PRESSURE | MIN. CONTROL PRESSURE [BAR] | WEIGHT [KG] |
|--------|---------------|-----------|------------------------------|--|-----------------------------|--------------|
| 1/2" | 50 | 13 | 4.7 | 16 14 | 3.0 | 1.02 |
| 3/4" | 50 | 18 | 9.5 | 16 7 | 3.0 | 1.12 |
| 1" | 50 63 | 24 | 18.1 | 16 1 16 5 | 3.0 3.0 - 4.5 | 1.47 2.07 |
| 1 1/4" | 63 | 31 | 23.1 | 16 1 | 3.0 - 4.5 | 2.68 |
| 1 1/2" | 63 | 35 | 32.9 | 16 1 | 3.0 - 4.5 | 2.81 |
| 2" | 63 90 | 45 | 52.8 | 9 not available 16 not available | 3.0 2.5 | 3.80 5.36 |

ENTER BELOW SEAT!

For specific dimensions, the Type DVC3500 angel seat valve can be used with pressure below the seat, though only at the listed pressures (max. back pressure). If the pressure increases, the medium may open the valve.

If the valve is intended for use with flow entering below the seat, the valve is fitted with a more powerful spring return actuator. Note that enter below seat has a tendency to prevent water hammering.

Kindly contact DVC if you have any questions.



SPRING RETURN, NC, FLOW ABOVE SEAT