

STAINLESS STEEL PNEUMATIC ACTUATOR FOR SANITARY BUTTERFLY VALVE



armatec

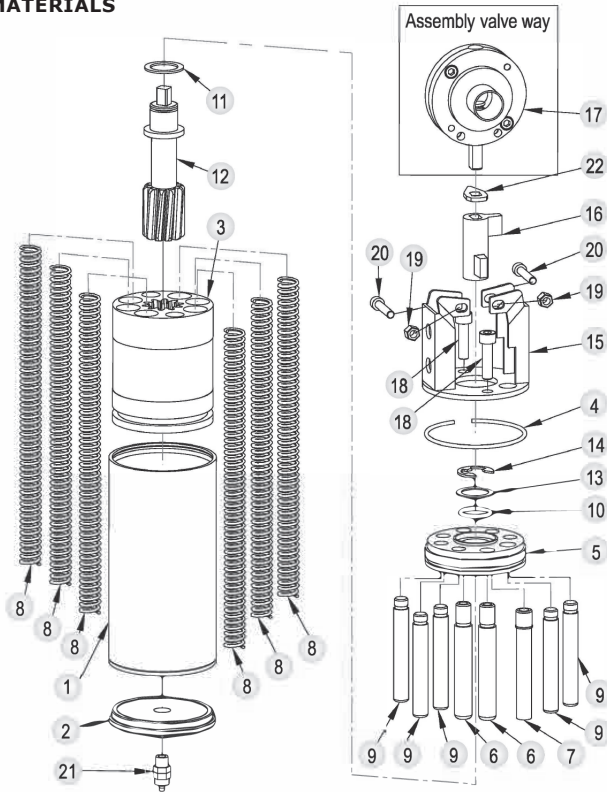
TYPE DVC5126



GENERAL

MODELS:	C2: VALVE SIZES DN20 TO DN80 C101: VALVE SIZES DN100
MATERIAL:	STAINLESS STEEL AISI 304
SUPPLY AIR PRESSURE:	5 - 9 BAR
FUNCTION:	SPRING RETURN
AIR CONNECTION:	1/4"

MATERIALS



POS	DESCRIPTION	MATERIAL
1	CYLINDER	STAINLESS STEEL AISI 304
2	CYLINDER CAP	STAINLESS STEEL AISI 304
3	PISTON	TENAC 4010/SH410
4	LOCK WIRE CLIP	STAINLESS STEEL AISI 304
5	LOWER CYLINDER END	STAINLESS STEEL AISI 304
6	PISTON GUIDE PART	STAINLESS STEEL AISI 304
7	PISTON GUIDE PART	STAINLESS STEEL AISI 304
8	COMPRESS SPRING	STAINLESS STEEL AISI 304
9	PISTON GUIDE PART	STAINLESS STEEL AISI 304
10	PISTON AXLE O-RING	TEFLON
11	GASKET	TEFLON
12	COUPLING AXLE PIECE	STAINLESS STEEL AISI 304
13	CONTACT SEAL	STAINLESS STEEL AISI 304
14	CIRCLIP	STAINLESS STEEL AISI 304
15	MOUNTING BRACKET	STAINLESS STEEL AISI 304
16	CONNECTION PIECE	STAINLESS STEEL AISI 304
17	ASSEMBLY VALVE WAY	STAINLESS STEEL AISI 316L
18	SCREW M8X12	STAINLESS STEEL AISI 304
19	NUT M6	STAINLESS STEEL AISI 304
20	SCREW M6X35	STAINLESS STEEL AISI 304
21	AIR CONNECTON	COPPER
22	POSITIONING INDEX	STAINLESS STEEL AISI 304

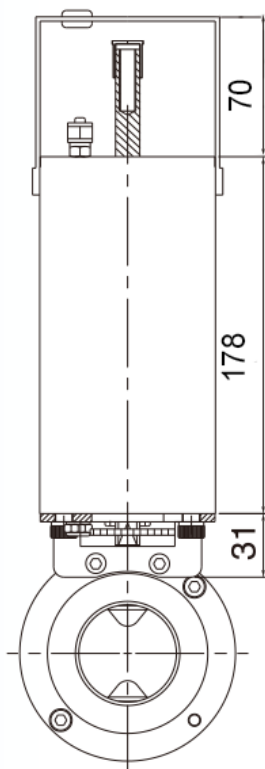
DESCRIPTION

- **Cylindrical pneumatic actuator** in stainless steel AISI 304 for operation of sanitary butterfly valve.
- **Comes optionally with top-mounted control box**, with integrated solenoid valve and inductive feedback sensor. See DVC Type 5326.
- **Quarter-turn, single acting actuator** with normally closed or normally open function.
- **Polished cleaning-friendly surface**, that comes with a blue top-cap if ordered without control box.

DS-DVC2600-UK-03-2025-REV. A
We reserve the right for changes.

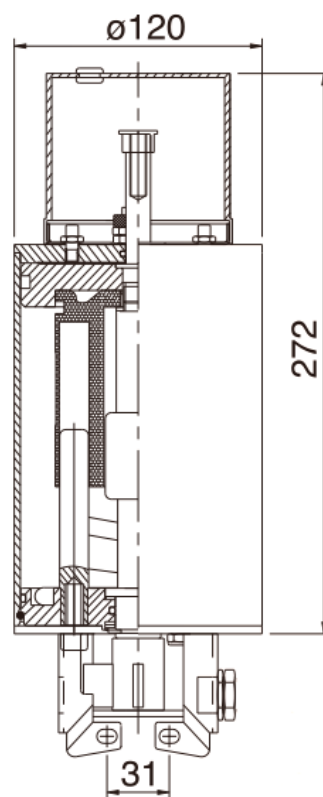
DIMENSIONS

C2



Valve size:
DN20 - DN80

C101



Valve size:
DN100

ACTUATOR DATA

Model	Air consumption [L at 5 bar]	Torque [Nm]	Shut-off time [sek.]	Weight [kg]
C2	0.266	20	1.5	3.85
C101	0.550	45	1.7	4.7