

# 3-PCS BALL VALVE - FULL BORE

## TYPE DVC7444



armatec

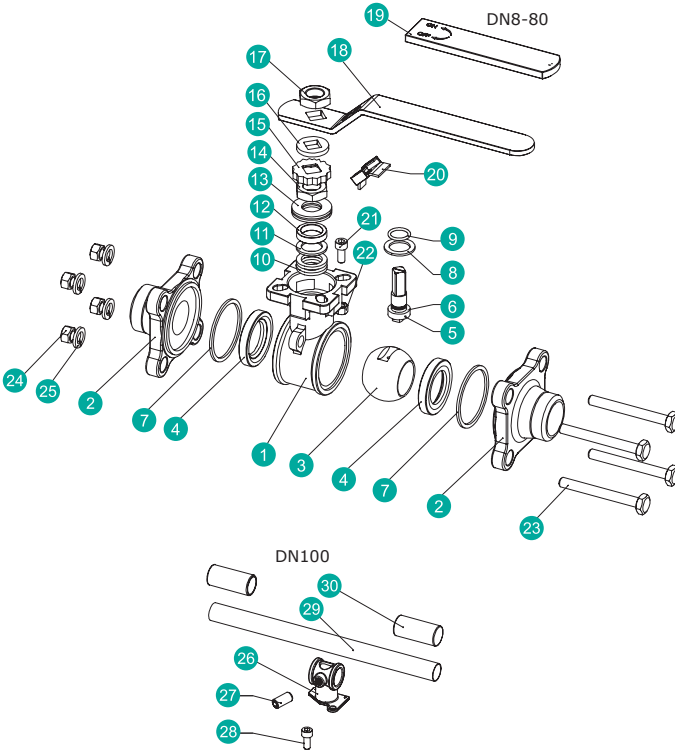


### GENERAL

DIMENSION:	1/2" - 4"
PRESSURE:	63 BAR / 1000 PSI WOG
TEMPERATUR:	-29°C TO 204°C
(PRESSURE AND TEMPERATURE ARE INTERDEPENDENT)	
ISO TOP FLANGE:	ISO 5211
THREAD ENDS:	BSPP

### OPTION

MATERIAL:	STEEL
-----------	-------



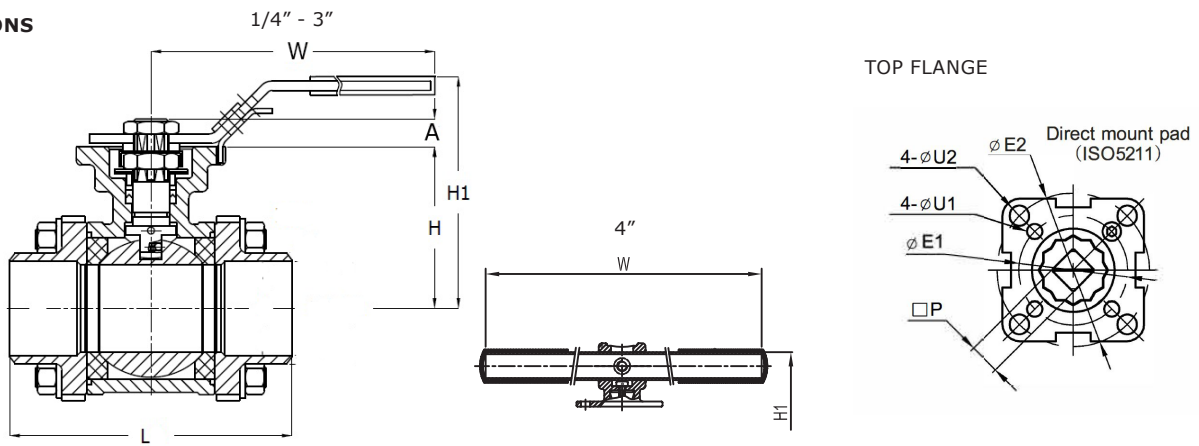
POS	DESCRIPTION	MATERIAL
1	BODY	STAINLESS STEEL CF8M
2	END CAP	STAINLESS STEEL CF8M
3	BALL	STAINLESS STEEL AISI 316
4	SEAT	PTFE
5	STEM	STAINLESS STEEL AISI 316
6	ANTI-STATIC	STAINLESS STEEL AISI 316
7	BODY GASKET	PTFE
8	THRUST WASHER	PTFE
9	O-RING	FPM
10	PACKING	PTFE
11	BUSHING	50%SS + 50%PTFE
12	GLAND	STAINLESS STEEL AISI 316
13	BELLEVILLE WASHER	STAINLESS STEEL AISI 301
14	STEM NUT	STAINLESS STEEL AISI A194-8
15	STOP-LOCK-CAP	STAINLESS STEEL AISI 304
16	HANDLE GLAND	STAINLESS STEEL AISI 304
17	HANDLE NUT	STAINLESS STEEL A194-8
18	HANDLE	STAINLESS STEEL AISI 304
19	HANDLE SLEEVE	PVC PLASTIC
20	LOCKING DEVICE	STAINLESS STEEL AISI 304
21	STOP BOLT	STAINLESS STEEL A2-70
22	STOP NUT	STAINLESS STEEL A2-70
23	BOLTING	STAINLESS STEEL A2-70
24	BOLT NUT	STAINLESS STEEL A2-70
25	BOLT WASHER	STAINLESS STEEL AISI 304
26	HANDLE ADAPTER	A351-CF8
27	SET SCREWED	STAINLESS STEEL A2-70
28	BOLTING	STAINLESS STEEL A2-70
29	HANDLE SLEEVE	A53+ZINC PLATED

### DESCRIPTION

- **Solid industrial ball valve** in acid-proof, stainless steel CF8M and steel WCB. The 3-pcs. design with "build-in flanges" makes it easy to remove the valves middle part for maintenance.
- **The Blow-out proof stem**, has apart from a security function also the benefit of increasing the stem sealing when pressure rises.
- **Approvals:** TA-Luft, SIL2, ATEX 2014/34/EC (Ex II 2G Exh IIC T6...T1 Gb and Ex II 2D Exh IIIC T85°C...T450°C Db), EC1935 and FDA.
- **Maintenance free stuffing box** with spring washers, PTFE V-rings and FPM O-ring provides optimum sealing and longer service life. The stuffing box will self-adjust under changing temperatures and due to wear.
- **Electric equalizer connections**, between ball, stem and body makes it possible to install this valve type in ATEX area (Group II, equipment category 2).
- **Traceability on all ball valves**, and delivery of material certificate EN 10204/3.1 on request.
- **ISO 5211 top flange** makes it simple and easy to mount an actuator without bracket and coupling. A compact solution with less connections = less slack.

DS-DVC7444-UK-01-2025-REV. A  
We reserve the right for changes.

## DIMENSIONS



DIMENSION		VALVE WITH HANDLE				ISO TOP FLANGE					STEM	
[MM]	[INCH]	L	H	H1	W	$\varnothing E_1$	$\varnothing E_2$	4x $\varnothing U_1$	4x $\varnothing U_2$	ISO 5211	G	A
		[MM]	[MM]	[MM]	[MM]	[MM]	[MM]	[MM]	[MM]		[MM]	[MM]
DN08	1/4"	75.0	42.0	72.0	147.0	36	42	6	6	F03/F04	9	9.0
DN10	3/8"	75.0	42.0	72.0	147.0	36	42	6	6	F03/F04	9	9.0
DN15	1/2"	75.0	42.0	72.0	147.0	36	42	6	6	F03/F04	9	9.0
DN20	3/4"	80.0	48.5	79.0	147.0	36	50	6	7	F03/F05	9	9.0
DN25	1"	90.0	58.5	89.0	177.0	42	50	6	7	F04/F05	11	11.0
DN32	1 1/4"	110.0	63.0	93.0	177.0	42	70	6	9	F04/F07	11	11.0
DN40	1 1/2"	120.0	71.3	103.0	197.0	50	70	7	9	F05/F07	14	14.0
DN50	2"	140.0	78.2	110.0	197.0	50	70	7	9	F05/F07	14	14.0
DN65	2 1/2"	185.0	100.0	150.0	267.0	70	102	9	11	F07/F10	17	17.0
DN80	3"	205.0	108.5	159.0	267.0	70	102	9	11	F07/F10	17	17.0
DN100	4"	240.0	140.0	212.0	400.0	-	102	-	11	F10	22	22.0

## VALVE DATA

DIM		TORQUE*	WEIGHT	KV-VALUE	MAST**
[MM]	[INCH]	[NM]	[KG]	90° [m³/h]	AISI316 [NM]
DN08	1/4"	5.9	0.64	14	15
DN10	3/8"	5.9	0.65	20	15
DN15	1/2"	6.5	0.68	26	15
DN20	3/4"	7.8	0.95	47	15
DN25	1"	14.3	1.40	83	36
DN32	1 1/4"	24.7	2.21	146	36
DN40	1 1/2"	33.8	2.99	232	91
DN50	2"	49.4	4.50	404	91
DN65	2 1/2"	76.7	8.40	671	180
DN80	3"	131.3	12.30	989	180
DN100	4"	192.4	23.70	1806	354

\* Torque figures include 30% safety factor. (TEST: 63bar diff. pressure, ambient temperature, non-lubricating).

\*\* Max allowed stem torque

## PRESSURE/TEMPERATURE

