

MECHANICAL LIMIT SWITCH

TYPE DVC5320



armatec

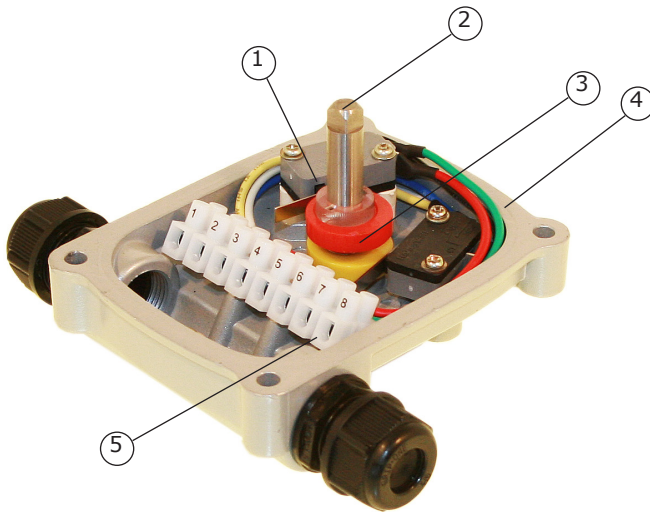


GENERAL

CONTACT TYPE:	MECHANICAL (2 X SPDT)
VOLTAGE:	250V AC/16A 250V DC/ 0.3A 125V AC/16A 125V DC/0.6 A 30V DC/10A
CABLE CONNECTION:	2 X M20
TEMPERATURE:	-20°C. TO 80°C.
MATERIAL:	HOUSE: DIE-CAST ALUMINUM SHAFT: STAINLESS STEEL INDICATOR: POLYCARBONATE
AXLE HEIGHT:	17 MM.
TIGHTNESS CLASS:	IP 67 / NEMA4 & 4X
MOUNTING BRACKET:	VDI / VDE 30 X 80, H=20

OPTIONS

CABLE CONNECTION:	1/2" NPT, PG13.5, PF 1/2"
MOUNTING BRACKET:	VDI / VDE 30 X 80, H=30 MM. VDI / VDE 30 X 130, H=30/50 MM.
INDICATOR:	3-WAY
SWITCH:	INDUCTIVE PROXIMITY SENSOR

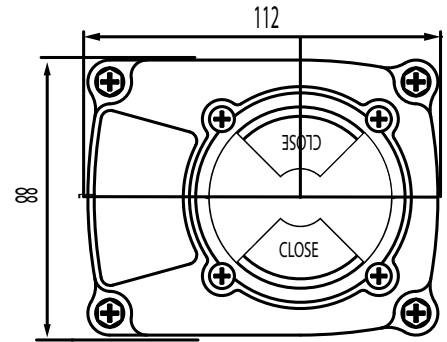
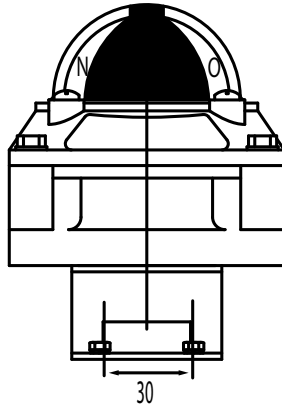
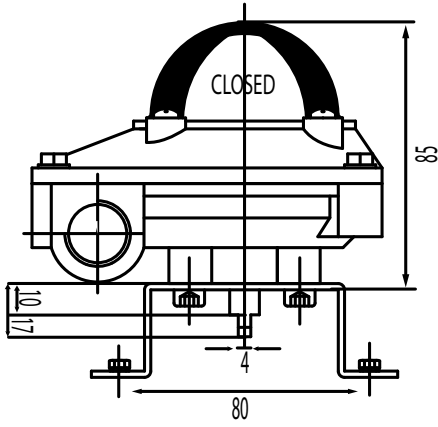


POS	DESCRIPTION	MATERIAL
1	SWITCH	2-SPDT
2	AXLE	STAINLESS STEEL
3	CAM	POLYCARBONATE
4	BODY	ALUMINUM DIE-CAST
5	TERMINAL STRIPS	POLYCARBONATE

DESCRIPTION

- **Body in corrosion resistant and impact resistant aluminum.** Powder coated.
- **Supplied with standard mounting bracket and cable connection.**
- **Tightness class IP67** as standard and IP68 as option.
- **Captive cover bolts.**
- **Excellent visual indication** of open or closed valve. Can be changed to suite rotation direction.
- **Supplied with mechanical switch set** as standard. Can be supplied with inductive sensors PNP / NPN with various voltages.
- **Approved in accordance with the following standards:** NEMA, IP67 and CE.
- **UV-resistant glass**, which does not become dull over time.

DIMENSIONS



ELECTRICAL DIAGRAM

